

## Air Container Specifications

### Lower Deck Container-IATA Type 8D-IATA Prefix: APA-APA: LD-2

**Maximum Gross Weight**

1,225 kg / 2,700 lb

**Volume**

3.4 m<sup>3</sup> / 120 ft<sup>3</sup>

**Tare**

60 kg / 132 lb

**External Dimensions**

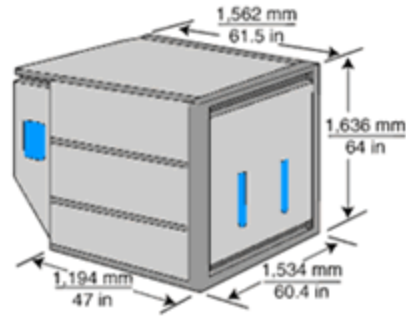
(L x W x H)

1,194 mm x 1,534 mm x 1,626 mm

(47 in x 60.4 in x 64 in)

**Aircraft Accepted For**

777, 767



### Lower Deck Container-IATA Type 8-IATA Prefix: AK-ATA: LD-3

**Maximum Gross Weight**

1,588 kg / 3,500 lb

**Volume**

4.53 m<sup>3</sup> / 160 ft<sup>3</sup>

**Tare**

70 kg / 154 lb

**External Dimensions**

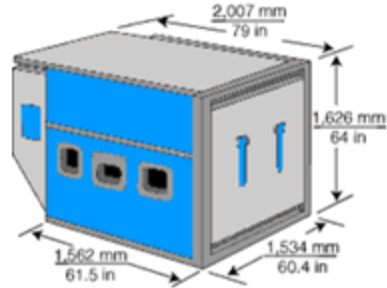
(L x W x H)

1,562 mm x 1,534 mm x 1,626 mm

(61.5 in x 60.4 in x 64 in)

**Aircraft Accepted For**

DC10-30 Freighter, DC10, 747, 777, 767



### Lower Deck Container-IATA Type 6-IATA Prefix: ALF-ATA: LD-6

**Maximum Gross Weight**

3,175 kg / 7,000 lb

**Volume**

6.94 m<sup>3</sup> / 245 ft<sup>3</sup>

**Tare**

180 kg / 397 lb

**External Dimensions**

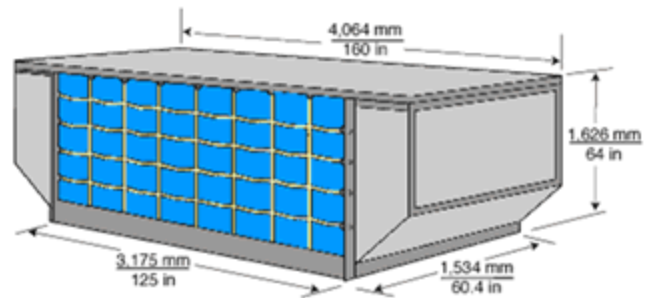
(L x W x H)

3,175 mm x 1,534 mm x 1,626 mm (125 in x 60.4 in x 64 in)

64 in)

**Aircraft Accepted For**

747, 747F, L1011



### Lower Deck Container-IATA Type 6B-IATA Prefix: AQ-ATA: LD-8

**Maximum Gross Weight**

2,449 kg / 5,400 lb

**Volume**

6.94 m<sup>3</sup> / 245 ft<sup>3</sup>

**Tare**

120 kg / 264 lb

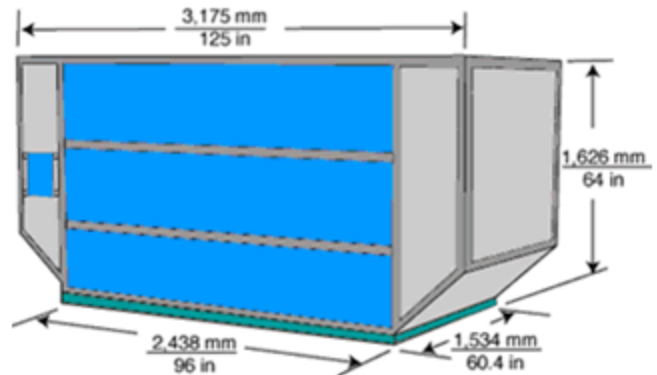
**External Dimensions**

(L x W x H)

2,438 mm x 1,534 mm x 1,626 mm (96 in x 60.4 in x 64 in)

**Aircraft Accepted For**

777, 767



### Container-IATA Type 5-IATA Prefix: AAP-ATA: LD-9

**Maximum Gross Weight**

6,033 kg / 13,300 lb

**Volume**

9.91 m<sup>3</sup> / 350 ft<sup>3</sup>

**Tare**

200 kg / 440 lb

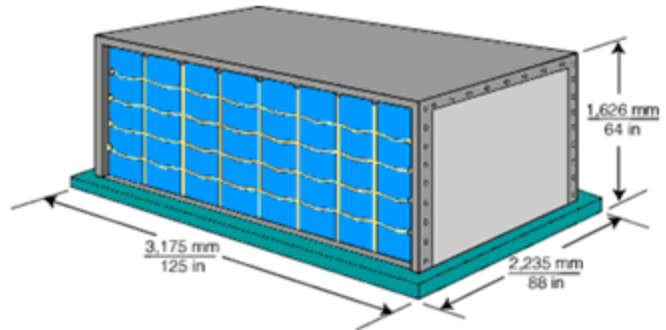
**External Dimensions**

(L x W x H)

3,175 mm x 2,235 mm x 1,626 mm (125 in x 88 in x 64 in)

**Aircraft Accepted For**

747, 747F, L1011



### Upper Deck Container-IATA Type 5-IATA Prefix: AAK-ATA: LD-7

**Maximum Gross Weight**

6,033 kg / 13,300 lb

**Volume**

9.91 m<sup>3</sup> / 350 ft<sup>3</sup>

**Tare**

200 kg / 440 lb

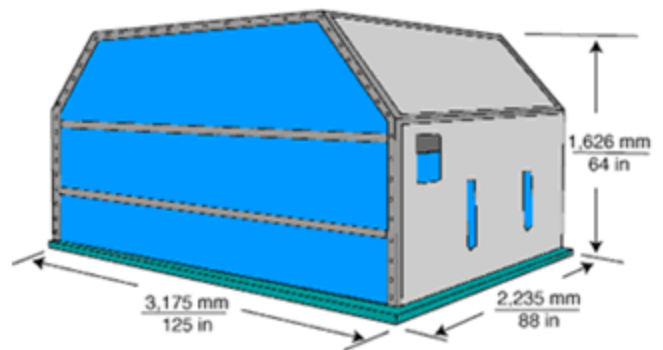
**External Dimensions**

(L x W x H)

3,175 mm x 2,235 mm x 1,626 mm (125 in x 88 in x 64 in)

**Aircraft Accepted For**

N/A



### Main Deck Container-IATA Type 2/2Q-IATA Prefix: AMA

**Maximum Gross Weight**

6,804 kg / 15,000 lb

**Volume**

17.16 m<sup>3</sup> / 606 ft<sup>3</sup>

**Tare**

260 kg / 572 lb

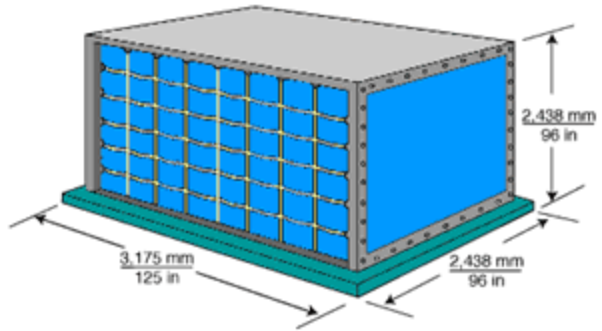
**External Dimensions**

(L x W x H)

3,175 mm x 2,438 mm x 2,438 mm (125 in x 96 in x 96 in)

**Aircraft Accepted For**

747F



### Lower Deck Container-IATA Type 2BG-IATA Prefix: AMU

**Maximum Gross Weight**

6,033 kg / 13,300 lb

**Volume**

13.7 m<sup>3</sup> / 480 ft<sup>3</sup>

**Tare**

200 kg / 440 lb

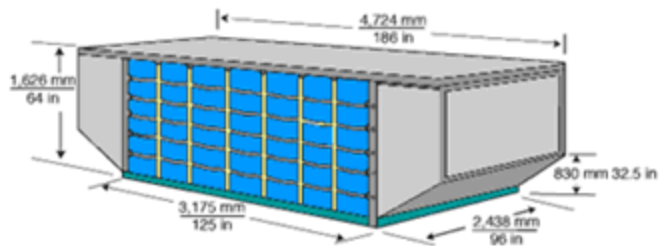
**External Dimensions**

(L x W x H)

3,175 mm x 2,438 mm x 1,626 mm (125 in x 96 in x 64 in)

**Aircraft Accepted For**

747, 747F



### Lower Deck Pallet with Net-IATA Type 6-IATA Prefix: PL

3,175 kg / 7,000 lb

**Volume**

6.94 m<sup>3</sup> / 245 ft<sup>3</sup>

**Tare**

90 kg / 198 lb

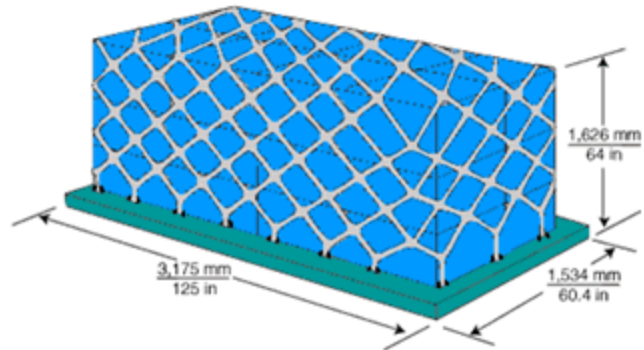
**External Dimensions**

(L x W x H)

3,175 mm x 1,534 mm x 1,626 mm (125 in x 60.4 in x 64 in)

**Aircraft Accepted For**

DC10, DC10-30 Freighter, 747, 777



### Pallet with Net-IATA Type 5-IATA Prefix: PA

**Maximum Gross Weight**

4,626 kg / 10,200 lb

**Volume**

9.91 m<sup>3</sup> / 350 ft<sup>3</sup>

**Tare**

120 kg / 264 lb

**External Dimensions**

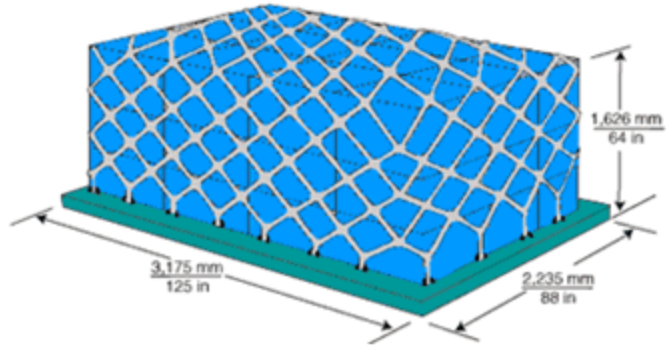
(L x W x H)

3,715 mm x 2,235 mm x 1,626 mm (125 in x 88 in x 64 in)

**Aircraft Accepted For**

DC10-30 Freighter, DC10-30

747, 747F, 777, 767-300



### Pallet with Net-IATA Type 2WA-IATA Prefix: PM

**Maximum Gross Weight**

5,035 kg / 11,100 lb

**Volume**

15.8 m<sup>3</sup> / 557 ft<sup>3</sup>

**Tare**

130 kg / 287 lb

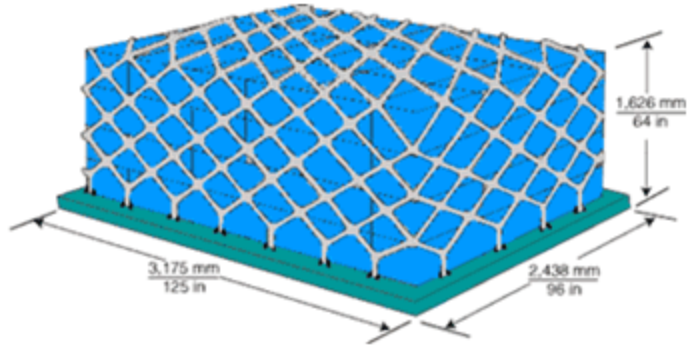
**External Dimensions**

(L x W x H)

3,715 mm x 2,438 mm x 1,626 mm (125 in x 96 in x 64 in)

**Aircraft Accepted For**

DC10-30, Freighter, DC10-30, 747, 747F



### Main Deck Pallet with Net-IATA Type 2H-IATA Prefix: PM

**Maximum Gross Weight**

6,804 kg / 15,000 lb

**Volume**

21.16 m<sup>3</sup> / 747 ft<sup>3</sup>

**Tare**

130 kg / 287 lb

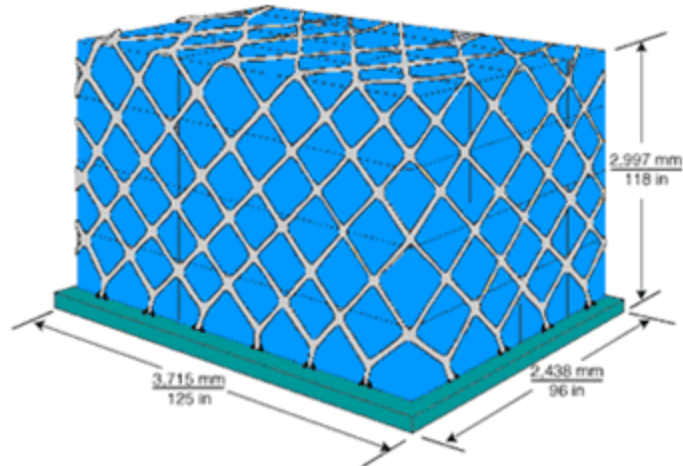
**External Dimensions**

(L x W x H)

3,715 mm x 2,438 mm x 2,997 mm (125 in x 96 in x 118 in)

**Aircraft Accepted For**

DC10-30 Freighter, 747F



**Main Deck Pallet with Net-IATA Type 2/2Q-IATA Prefix: PM**

**Maximum Gross Weight**

6,804 kg / 15,000 lb

**Volume**

17.16 m<sup>3</sup> / 606 ft<sup>3</sup>

**Tare**

130 kg / 287 lb

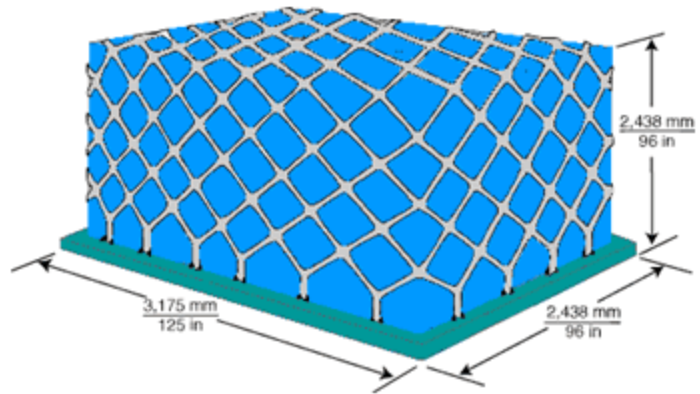
**External Dimensions**

(L x W x H)

3,175 mm x 2,438 mm x 2,438 mm (125 in x 96 in x 96 in)

**Aircraft Accepted For**

DC10-30 Freighter, 747F



**Main Deck Pallet with Net-IATA Type 1/1S-IATA Prefix: PG**

**Maximum Gross Weight**

13,608 kg / 30,000 lb

**Volume**

33.25 m<sup>3</sup> / 1,174 ft<sup>3</sup>

**Tare**

400 kg / 882 lb

**External Dimensions**

(L x W x H)

6,058 mm x 2,438 mm x 2,438 mm (238.5 in x 96 in x 96 in)

**Aircraft Accepted For**

DC10-30 Freighter, 747F

